

Silverlink 600 Salamander Grills

Key Features

- Type: Gas
- Ceramic plaque burners (manual ignition)
- Cool touch handles
- Variable heat settings



GR7

Construction

- Body: stainless steel grade 430
- Liner, hood and fat tray: enamelled steel (black)
- GR3 toasting grid: chrome plated steel
- GR7 branding plate: cast aluminium

Available Options

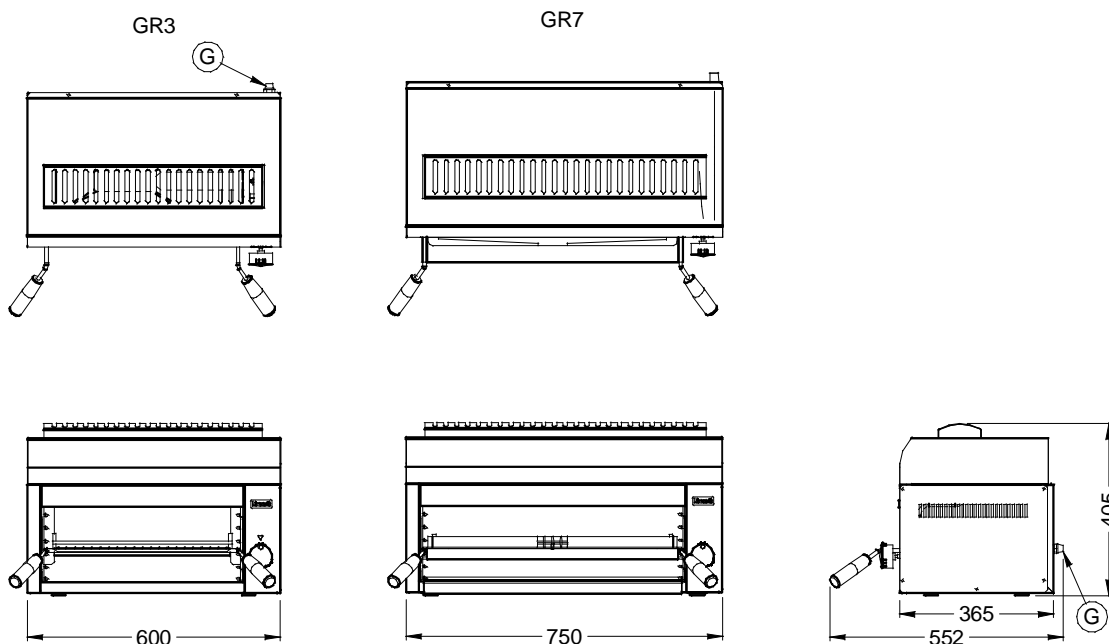
- Natural gas
- Propane gas
- Butane gas
- GR3 600mm wide unit supplied with crumb tray and chrome plated toasting grid
- GR7 750mm wide unit supplied with aluminium branding plate, fat collection tray and chrome plated rod shelf

Available Accessories

- For GR3
- ABP03 - Branding plate and fat tray
- GR3/WS - Wall shelf
- GR3/BS - Bench stand
- GR3/FS - Floor stand
- For GR7
- BR39 - Additional branding plate
- GR7/WS - Wall shelf
- GR7/BS - Bench stand
- GR7/FS - Floor stand

Specifications

Model	GR3	GR7
External height (mm)	405	405
External width (mm)	600	750
External depth (mm)	365	365
Net weight unpacked (kg)	22	33
Gross weight packed (kg)	28	40
Shipping volume (m ³)	0.214	0.400
Cooking grid width (mm)	415	580
Cooking grid depth (mm)	230	300
Branding plate dimensions (w x d) (mm)	440 x 300 (accessory)	590 x 320 (supplied)
Heat input per burner Natural (kW)	5.0	6.5
Heat input per burner Propane (kW)	5.0	6.8
Heat input per burner Butane (kW)	5.0	6.8
Total heat input Natural (kW)	5.0	6.5
Total heat input Propane (kW)	5.0	6.8
Total heat input Butane (kW)	5.0	6.8
Gas consumption at full rate Natural (m ³ h ⁻¹)	0.48	0.59
Gas consumption at full rate Propane (kg h ⁻¹)	0.36	0.49
Gas consumption at full rate Butane (kg h ⁻¹)	0.36	0.49
Gas inlet	G ½ male	
Btu/h conversion	kW x 3412	



Lincat Limited, Whisby Road,
Lincoln LN6 3QZ,
United Kingdom

UK Sales Tel: 01522 875500 UK Spares Tel: 01522 875510 UK General Tel: 01522 875555
UK Fax: 01522 875530 International Sales Tel: +44 1522 503250 International Fax: +44 1522 875530
Website: www.lincat.co.uk UK Sales e-mail: sales@lincat.co.uk International Sales e-mail: export@lincat.co.uk



Document ref:
S-LINKGASSAL
Issue date: Oct-09